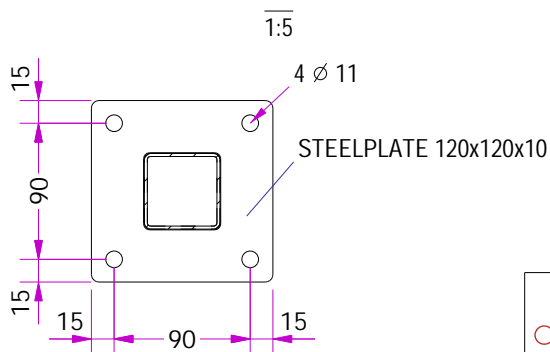
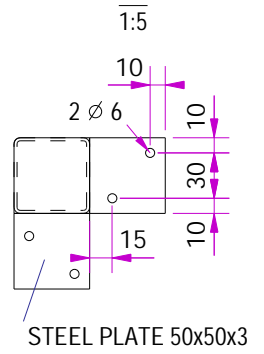
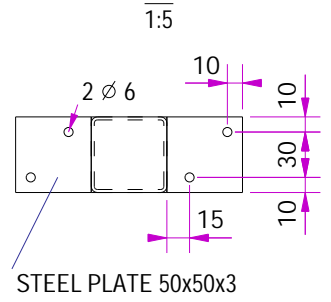
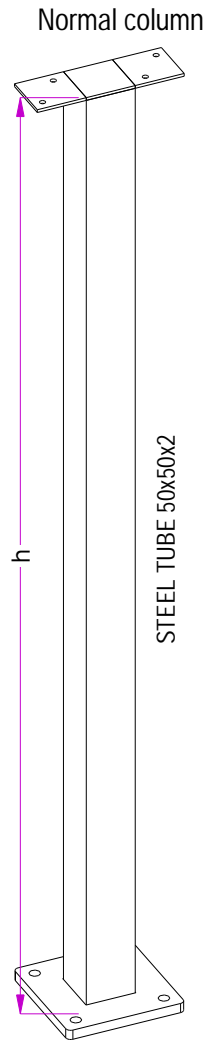
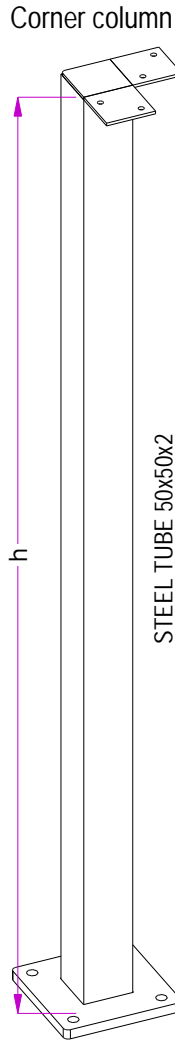
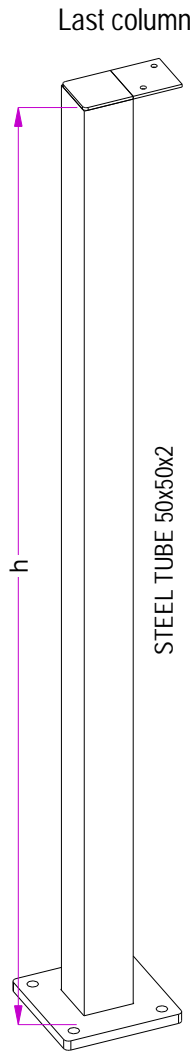
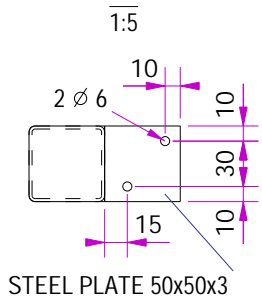


# WORK SHEET

## TERRACE BORDER COLUMNS 50x50x2

3D view



	Height h	Quantity
Corner column		
Normal column		
Last column		

Fe	Kzn	Ral

**staBico**

Producer: STABICO OU

Tallinn, Estonia

Tel: +372 555 17 989 e-mail: [stabico@stabico.ee](mailto:stabico@stabico.ee)

Web: [www.stabico.ee](http://www.stabico.ee)